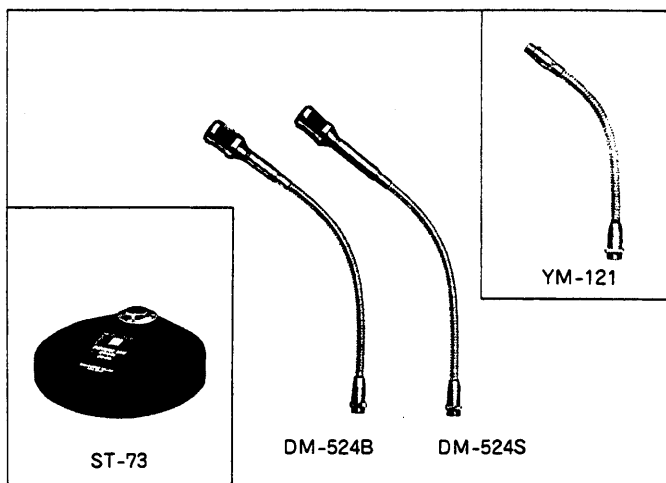


TOA DYNAMIC MICROPHONES



FEATURES

1. The dynamic microphones are characterized to eliminate handling noise as minimum.
2. The microphone stand ST-73 is so stable that it is also usable with a flexible microphone.

CAUTIONS

1. It is recommended not to disassemble the microphones in order to keep their own characteristics.
2. When announcing, do not grasp the head of microphone or microphone element section to avoid acoustic feedback.

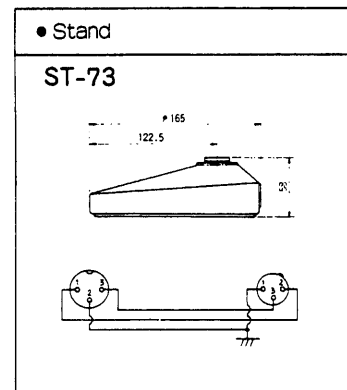
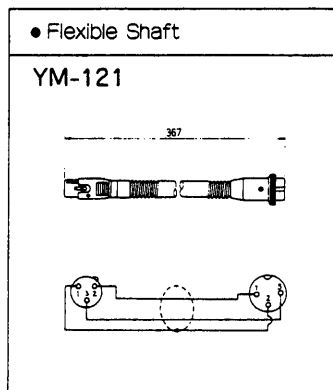
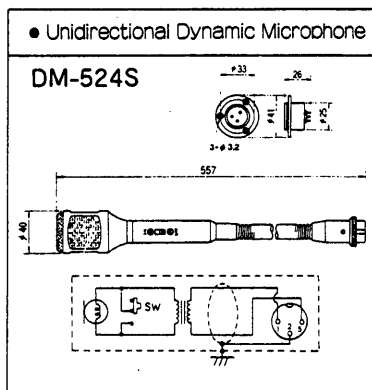
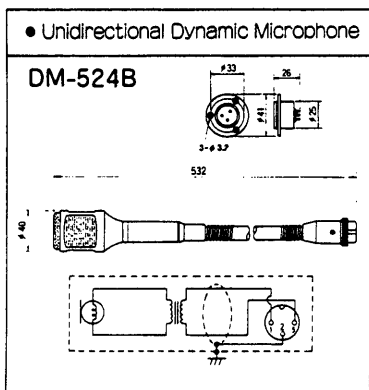
ACCESSORIES

DM-524B, DM-524S: CONNECTOR (BTS21R3A 1)

As the sound and communications specialist, TOA has developed the new flexible gooseneck microphones, their microphone stand and the flexible shaft. You may rest assured of using these products which are based on our advanced technology.

APPEARANCE AND WIRING

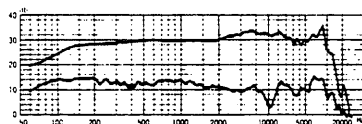
(Dimensions in mm)



FREQUENCY RESPONSE

(Frequency in Hz)

DM-524B
DM-524S



SPECIFICATIONS

	Models	DM-524B	DM-524S
1	Type	Flexible gooseneck type	
2	Directivity	Unidirectional	
3	Output Impedance	600Ω Balanced	
4	Output Sensitivity	-76 dB	
5	Frequency Response	100~10,000Hz	
6	Output Connector	Equivalent to BTS21P3B	
7	Weight	Approx. 456g	Approx. 475g
8	Switching Circuit	—	Short-off type
9	Finish	Body : Sparkle paint Others : Pear grained nickel plating	

	Models	YM-121	ST-73
1	Type	Flexible shaft	Stand
2	Input Connector	Equivalent to Cannon XLR-3-11C or Switchcraft C3F	Equivalent to BTS21R3A
3	Output Connector	Equivalent to BTS21P3B	Equivalent to Cannon XLR-3-14 or Switchcraft C3M
4	Weight	Approx. 295g	Approx. 2.6kg
5	Finish	Pear grained nickel plating	Black paint

Specifications are subject to change without notice.



TOA Corporation
KOBE, JAPAN

Printed in Japan